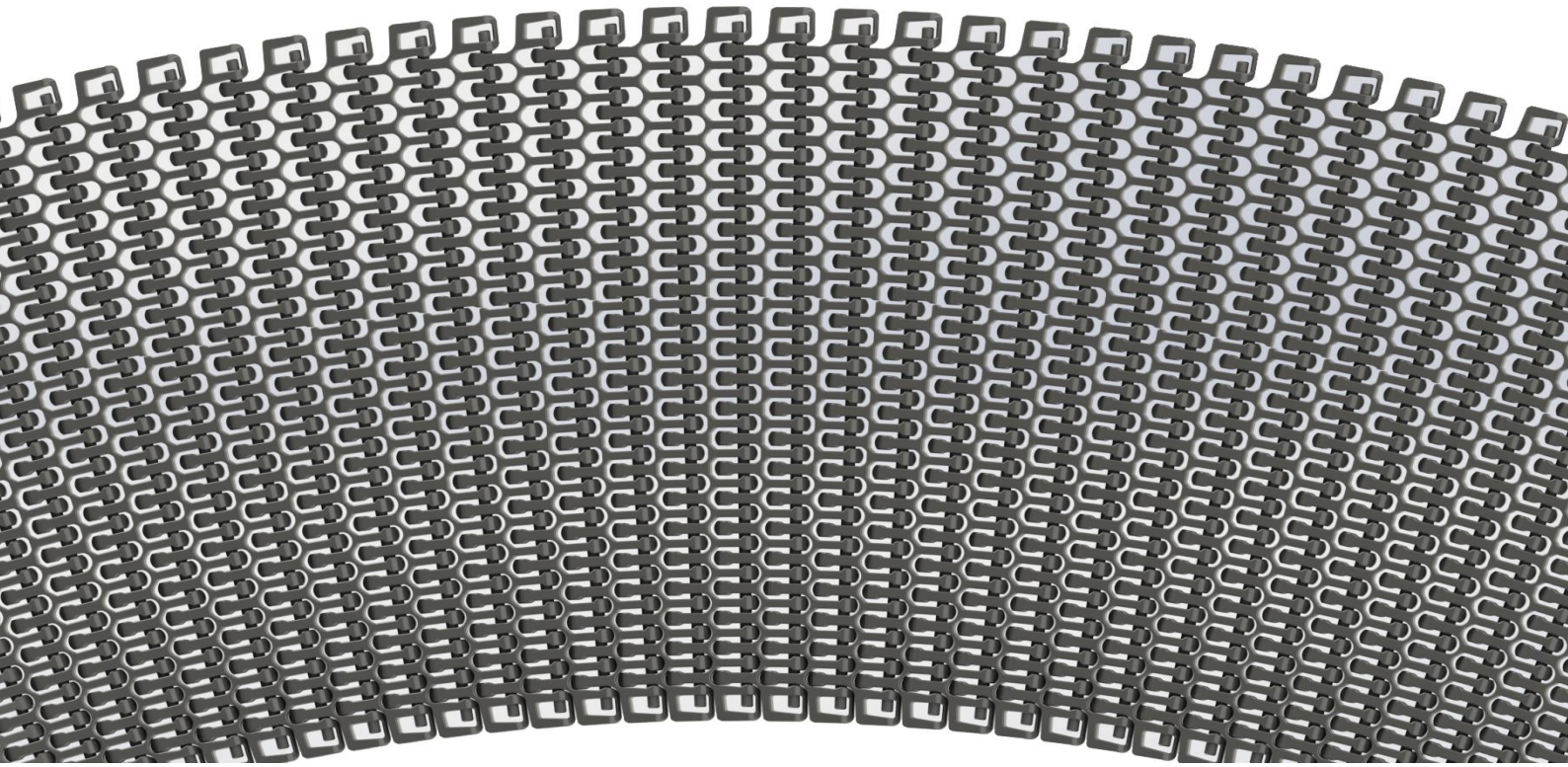
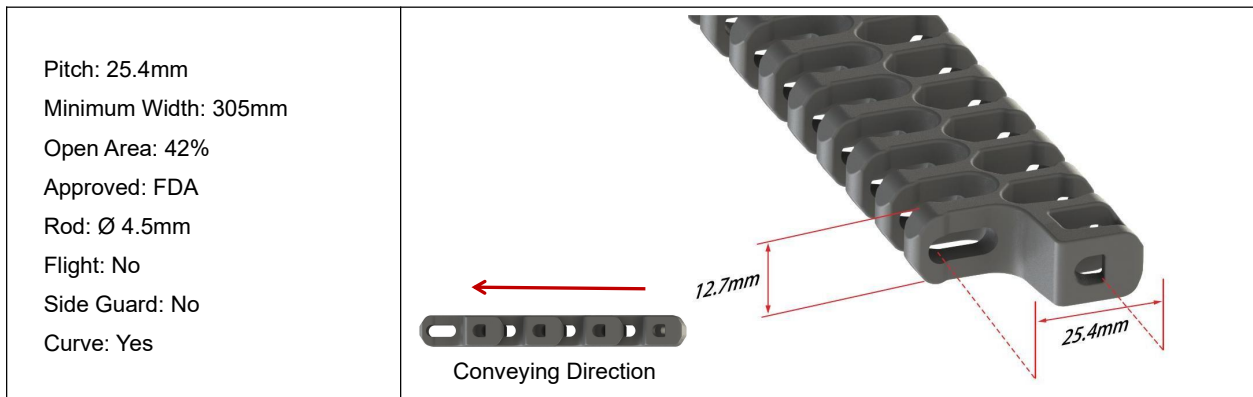


HS-2400B-2.2 Technical Data Sheet





Data

Belt Material	Belt Strength				Temperature		Belt Weight
	Straight		Curve		°C (min.)	°C (max.)	(Kg/M ²)
	Kg/M(BW)	N/M(BW)	Kg/M(BW)	N/M(BW)			
Polypropylene	1785	17850	178	1780	1	100	5.4
Acetal	2530	25300	253	2530	-40	80	7.8
Nylon	2530	25300	253	2530	1	180	7.0

BW – Belt Width

Color Table

Polypropylene					Polyethylene					Acetal					Nylon				
W	G	N	DB	B	W	G	N	DB	B	W	G	N	DB	B	W	G	N	DB	B
●	●			●						●	●			●					●

W-White, G-Gray, N-Nature, DB-Dark brown, B-Blue (For more information of belt color, pls consult our sales team)

Friction Table

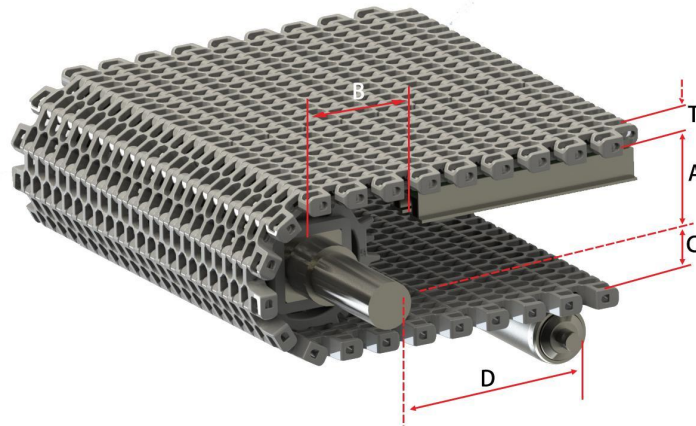
Belt Material	Friction Wear strips & Products							
	UHMW	HDPE	Steel	Glass	SUS	Plastic	Cardboard	Aluminum
Polypropylene	0.32	0.24	0.15	0.09	0.13	0.08	0.15	0.25
Polyethylene	0.13	0.11	0.26	0.19	0.31	0.16	0.21	0.41
Acetal	0.11	0.09	0.27	0.16	0.26	0.15	0.19	0.28
Nylon	0.18	0.13	0.25	0.16	0.26	0.16	0.19	0.27

SUS – Stainless Steel

Equivalent type with other Brand

Brand Name	Intralox	Habasit	UNI	Rexnord	MCC	ScanBelt
Series & Type	S2400 Radius Flush Grid (2.2)	--	--	--	--	--

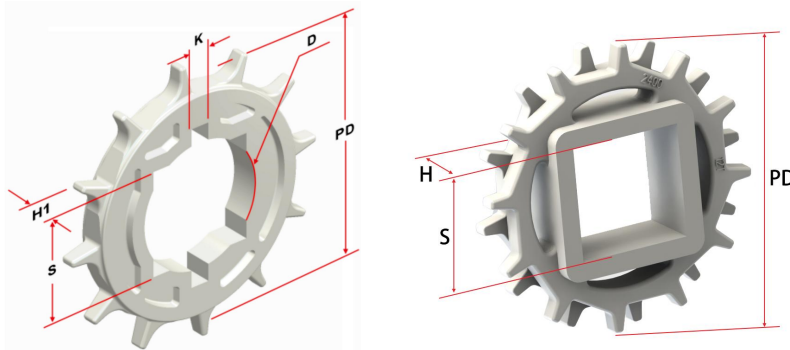
The above content is only for reference.



Conveyor Frame Dimensions

Unit : mm

No. Teeth	A (Min.)	B (Min.)	C (Max.)	D (Min.)	T
12	44.5	60	43	200	12.7
18	68.5	84	67	200	
24	94.5	110	93	250	
9-2R	30.65	47	28.3	200	
12-2R	44.65	61	42.3	200	
16-2R	59.65	76	57.3	200	
20-2R	75.15	91.5	72.8	200	



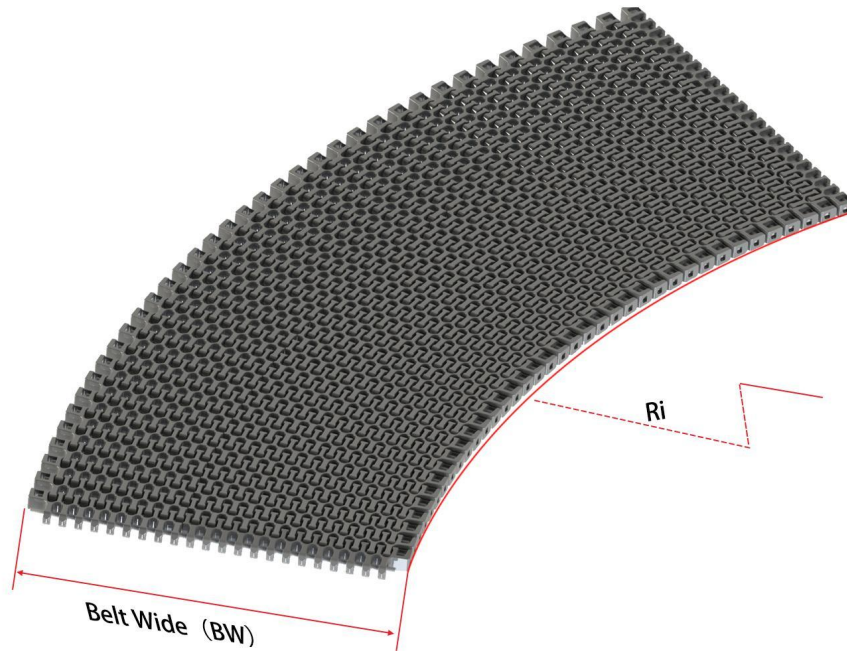
Sprocket Dimensions

Unit: mm

No. Teeth	PD	OD	S	D	H	K
12	98.14	100	25.4/38.1/39/40	25.4/28/30/31.75/35/40/46/47/50.8	11/18	8X8
18	146.27	148	25.4/38.1/40	25.4/30/31.75/35/36/40/45/47	18	8X8
24	194.60	200	38.1/40/50/60	--	30	--
9-2R	74.27	74	25.4	25.4	25	6.35X3.17
12-2R	98.14	102	38.1/40	--	25	--
16-2R	130.20	132	38.1/40	25.4/38.1	25	6.35X3.17
20-2R	162.37	163	38.1/40	25.4/38.1	25	6.35X3.17

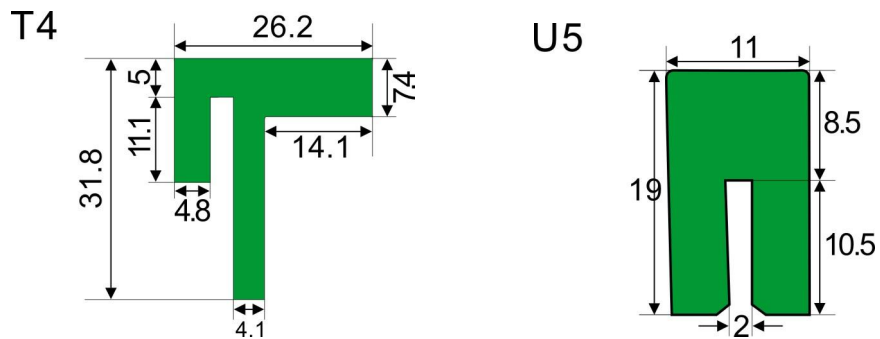
Note: Thickness 11mm is only for 12T-S40.

Design Guide Summary



- The minimum turning radius (inside) is 2.2 times of belt width under all feasible belt Width, 2.5 times of belt width is the most optimal.
- The minimum straight run section near driving shaft and idling shaft of Radius belt must be 2 times of the belt width in length.
- The minimum straight run section between two turns of opposing direction must be 2 times of the belt width in Length.
- When using a belt width bigger than 914mm in spiral and flat turning applications, pls contact our sales team.

Guide Rail & Wear Strips



- We have different kinds of guide rail and wear strips for your choice; for more information, please consult our sales team.